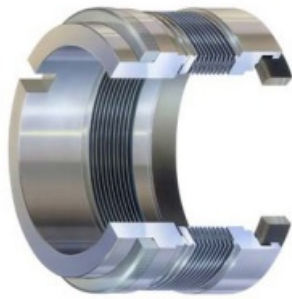


结构特点 Design features

- 内装、单端面、金属波纹管、平衡型、静止式密封；
- 紧定螺钉传动结构，任意旋向，压力均匀，结构简单、紧凑，安装方便，泄漏点少，密封性能可靠；
- 优越的追随性和补偿能力，抗震能力强，所使用的材料广泛，环境适应能力强，具有优异的高温性能，静止式设计更提高了密封综合性能；
- Internally mounted, single face, metal bellows, balanced, static type seal.
- Driven by Screws, any rotation direction, compact construction. It can be mounted conveniently.
- With superior performance of the compensation, material widely used, adaptive capacity, and a high temperature performance.

材料 Materials(to DIN24960)

- 旋转环 Rotary Ring: U2、Q1
- 静止环 Stationary Ring: A、U22、Q12
- 辅助密封 Auxiliary Seal: G
- 波纹管 Bellows: Y、M、M6
- 其他结构件材料 Other Parts: G、G1、T4、M



适用范围 Operating limits

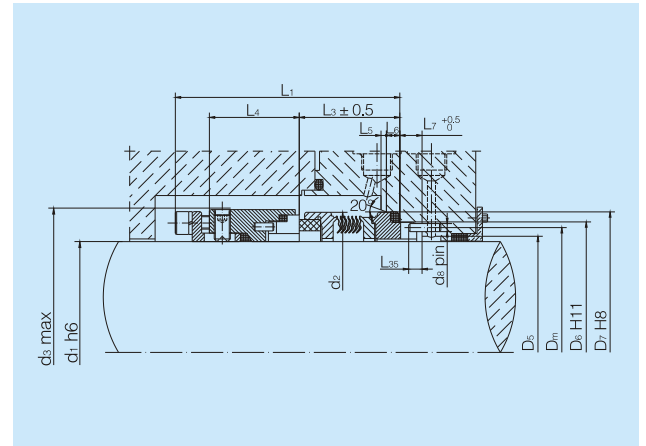
- 压力 Pressure: 真空(Vacuum)~2.0MPa(单层波片 Single-Ply)
真空(Vacuum)~6.9MPa(双层波片 Doubly-Ply)
- 温度 Temperature: -75~420°C
- 线速度 Speeds: ≤50m/sec
- 粘度 Viscosity: ≤1.0Pa.s(1000cp)软对硬(Soft VS Hard)
≤3.5Pa.s(3500cp)硬对硬(Hard VS Hard)

用途 Applications

用于化工、石油化工、炼油、制冷、制药、造纸等工业的泵类的旋转轴密封。
Used in all types of rotating equipment, pumps. To suit industries such as general chemical, oil refining, petrochemical, pharmaceutical, pulp and paper, and waste water treatment.

介质 Medium

烃、热固性及粘性高温介质。
Hydrocarbon, thermosetting, viscosity high temperature medium.



| | Seal size d ₁ | | d ₂ | d ₃ | D ₅ | D ₆ | D ₇ | d ₈ | D _m | L ₁ | L ₃ | L ₄ | L ₅ | L ₆ | L ₇ | L ₃₅ |
|---------|--------------------------|-------|----------------|----------------|----------------|----------------|----------------|----------------|----------------|----------------|----------------|----------------|----------------|----------------|----------------|-----------------|
| | 0.875 | 22.23 | 41.27 | 46.02 | 28.0 | 35.20 | 41.27 | 2.38 | 32.5 | 87.58 | 28.85 | 42.85 | 2.0 | 4.0 | 6.1 | 4.0 |
| 024,025 | 1.000 | 25.40 | 44.45 | 49.20 | 31.0 | 38.30 | 44.45 | 2.38 | 35.5 | 87.58 | 28.85 | 42.85 | 2.0 | 4.0 | 6.1 | 4.0 |
| 028 | 1.125 | 28.58 | 47.63 | 52.37 | 34.0 | 41.50 | 47.63 | 2.38 | 38.5 | 87.58 | 28.85 | 42.85 | 2.0 | 4.0 | 6.1 | 4.0 |
| 030 | 1.250 | 31.75 | 50.80 | 55.55 | 37.0 | 44.70 | 50.80 | 2.38 | 41.5 | 87.58 | 28.85 | 42.85 | 2.0 | 4.0 | 6.1 | 4.0 |
| 035 | 1.375 | 34.93 | 53.98 | 58.72 | 40.0 | 47.90 | 53.98 | 2.38 | 44.5 | 87.58 | 28.85 | 42.85 | 2.0 | 4.0 | 6.1 | 4.0 |
| 038 | 1.500 | 38.10 | 57.15 | 65.07 | 45.0 | 54.20 | 60.33 | 3.00 | 50.0 | 88.93 | 30.20 | 42.85 | 2.5 | 4.5 | 6.4 | 4.2 |
| 043 | 1.625 | 41.28 | 60.33 | 65.07 | 45.0 | 54.20 | 60.33 | 3.00 | 50.0 | 89.71 | 30.99 | 42.85 | 2.5 | 4.5 | 6.4 | 4.2 |
| 045 | 1.750 | 44.45 | 63.50 | 68.25 | 48.5 | 57.40 | 63.50 | 3.00 | 53.5 | 90.53 | 31.80 | 42.85 | 2.5 | 4.5 | 6.4 | 4.2 |
| 048 | 1.875 | 47.63 | 66.68 | 71.42 | 51.5 | 60.66 | 66.68 | 3.00 | 56.5 | 90.53 | 31.80 | 42.85 | 2.5 | 4.5 | 6.4 | 4.2 |
| 050 | 2.000 | 50.80 | 69.85 | 74.60 | 54.5 | 63.70 | 69.85 | 3.00 | 59.5 | 91.31 | 32.59 | 42.85 | 2.5 | 4.5 | 6.4 | 4.2 |
| 053 | 2.125 | 53.98 | 73.03 | 80.95 | 61.0 | 70.10 | 76.20 | 3.00 | 66.0 | 95.30 | 33.40 | 46.02 | 3.0 | 4.5 | 7.6 | 5.0 |
| | 2.250 | 57.15 | 76.20 | 84.12 | 64.0 | 73.30 | 79.38 | 3.00 | 69.0 | 99.26 | 34.19 | 46.02 | 3.0 | 4.5 | 7.6 | 5.0 |
| 060 | 2.375 | 60.33 | 82.55 | 87.30 | 67.5 | 76.40 | 82.55 | 3.00 | 72.5 | 100.05 | 34.98 | 46.02 | 3.0 | 4.5 | 7.6 | 5.0 |
| 063 | 2.500 | 63.50 | 85.73 | 90.47 | 70.5 | 79.60 | 85.73 | 3.00 | 75.5 | 100.86 | 35.76 | 46.02 | 3.0 | 4.5 | 7.6 | 5.0 |
| 065 | 2.625 | 66.68 | 88.90 | 93.65 | 74.0 | 82.80 | 88.90 | 3.00 | 79.0 | 103.28 | 36.60 | 47.63 | 3.0 | 4.5 | 8.7 | 5.8 |
| 070 | 2.750 | 69.85 | 93.65 | 100.00 | 76.5 | 85.60 | 95.25 | 3.00 | 81.5 | 108.25 | 40.79 | 48.41 | 3.0 | 6.5 | 5.8 | 3.8 |
| | 2.875 | 73.03 | 96.82 | 103.17 | 80.0 | 89.00 | 98.43 | 3.00 | 85.0 | 108.25 | 40.79 | 48.41 | 3.0 | 6.5 | 5.8 | 3.8 |
| 075 | 3.000 | 76.20 | 101.60 | 106.35 | 83.0 | 92.20 | 101.60 | 3.00 | 88.0 | 108.25 | 40.79 | 48.41 | 3.0 | 6.5 | 5.8 | 3.8 |
| 080 | 3.125 | 79.38 | 104.78 | 109.52 | 86.5 | 95.30 | 104.78 | 3.00 | 91.5 | 108.25 | 40.79 | 48.41 | 3.0 | 6.5 | 5.8 | 3.8 |
| | 3.250 | 82.55 | 107.95 | 112.70 | 89.5 | 98.50 | 107.95 | 3.00 | 94.5 | 108.25 | 40.79 | 48.41 | 3.0 | 6.5 | 5.8 | 3.8 |
| 085 | 3.375 | 85.73 | 111.13 | 115.87 | 92.5 | 101.70 | 111.13 | 3.00 | 97.5 | 108.25 | 40.79 | 48.41 | 3.0 | 6.5 | 5.8 | 3.8 |
| 090 | 3.500 | 88.90 | 114.30 | 119.05 | 96.0 | 104.90 | 114.30 | 3.00 | 101.0 | 111.71 | 41.86 | 50.80 | 3.0 | 7.0 | 6.9 | 4.5 |
| | 3.625 | 92.08 | 117.48 | 122.22 | 99.0 | 108.10 | 117.48 | 3.00 | 104.0 | 111.71 | 41.86 | 50.80 | 3.0 | 7.0 | 6.9 | 4.5 |
| 095 | 3.750 | 95.25 | 120.65 | 125.40 | 102.0 | 111.20 | 120.65 | 3.00 | 107.0 | 111.71 | 41.86 | 50.80 | 3.0 | 7.0 | 6.9 | 4.5 |
| 100 | 3.875 | 98.43 | 123.83 | 128.57 | 105.5 | 114.40 | 123.83 | 3.00 | 110.5 | 111.71 | 41.86 | 50.80 | 3.0 | 7.0 | 6.9 | 4.5 |